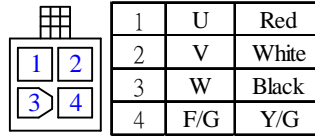
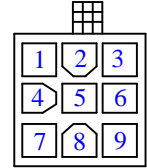


Model: JSMA-PBC02ABKB

No.	Item	Symbol	Unit	Specification	No.	Item	Symbol	Unit	Specification
1	Drive	-	-	3 φ 220VAC	13	Rotor Inertia	J-M	kg-cm ²	0.48±10%
2	Cooling Method	-	-	Totally Enclosed	14	Rated Power Rate	Q-R	Kw/s	8.53
3	Exciting Method	-	-	Permanent Magnet	15	Resistance	Ra	Ω	6.4±10%/2 φ
4	Resolution	-	-	2500 C/T	16	Inductance	L	mH	16.2±10%/2 φ
5	Rated Output	P-R	W	200	17	Mech. Time Constant	Tm	ms	2.16±10%
6	Rated Torque	T-R	N-m	0.64	18	Elect. Time Constant	Te	ms	2.53±10%
7	Max. Torque	T-max	N-m	1.91	19	Insulation Class	-	-	Class F
8	Rated Speed	N-R	rpm	3000	20	Operation Temp.	T	°C	0~40
9	Rated Current	I-R	A	1.6	21	Operation Humd.	RH	%	<80
10	Max. Current	I-max	A	4.8	22	Storage Temp.	T	°C	-20~60°
11	Torque Constant	Kt	N-m/A	0.46	23	Storage Humd.	RH	%	<80
12	Voltage Constant	Ke	V/krpm	28±10%	24	Weight	W	kgw	1.5

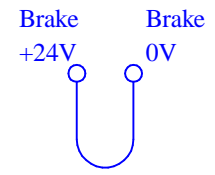


Motor Wiring



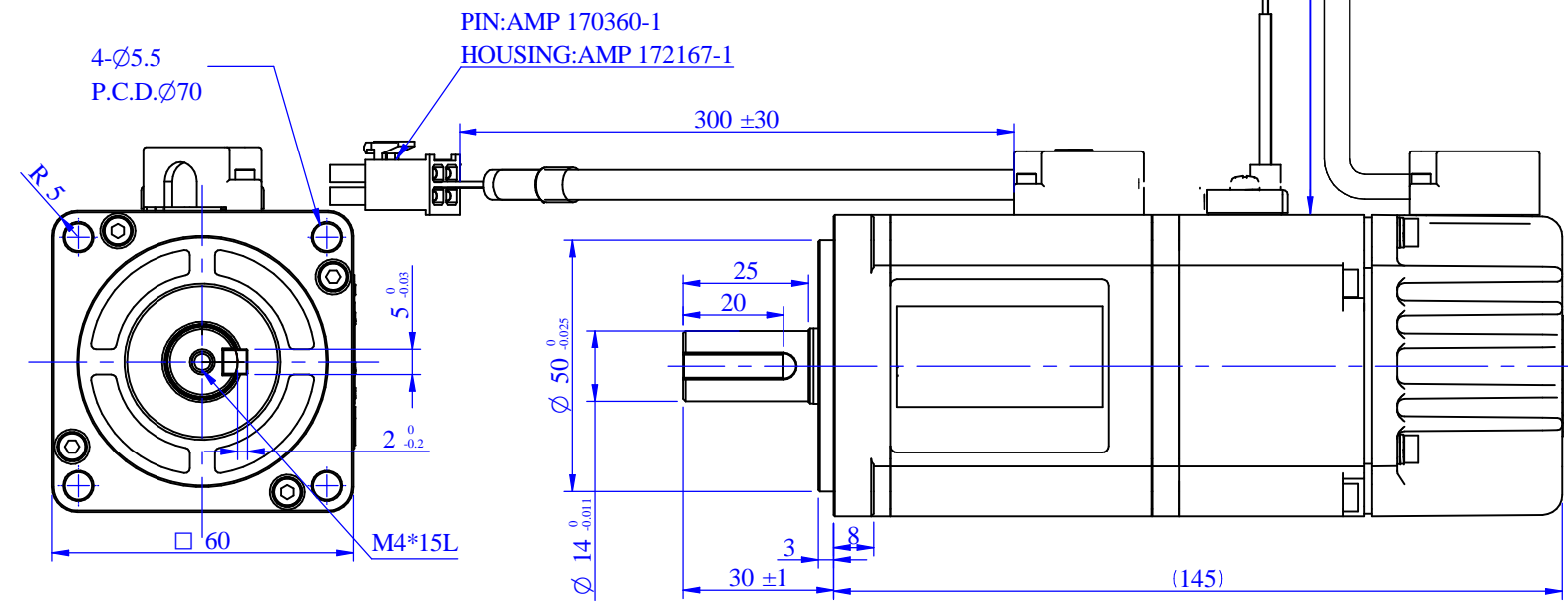
Encoder Wiring

1	+5V	Red
2	0V	Black
3	A/U	Blue
4	A̅/U̅	Blue/Black
5	B/V	Green
6	B̅/V̅	Green/Black
7	Z/W	Yellow
8	Z̅/W̅	Yellow/Black
9	FG	Shield



PIN:AMP 770835-1
HOUSING:AMP 172169-1

- Note:
1. Motor to be IP67(excluding the shaft opening and connectors)
 2. Encoder shield wire to be grounded to the motor.



AC SERVO MOTOR

Model: JSMA-PBC02ABKB

Pr: 0.2 KW ; Nr: 3000 rpm

Ir: 1.6 A , Tr: 0.64 N-m

NO. _____

TECO ELECTRIC & MACHINERY CO., LTD.
MADE IN TAIWAN

STANDARD TOLERANCE				APVD		SCALE		2/3	UNIT	m m	NAME		SERVO MOTOR OUTLINE DRAWING	
X	±0.5			CHKD		3RD .A.P			TITLE		JSMA-PBC02ABKB			
.X	±0.2			CHKD		Leon		04-06-'16	TECO ELECTRO DEVICES CO., LTD.		Dept. Design	DWG.NO.	D01E06201C3BT3D01	
.XX	±0.05			DWN		DATE								
ANGLE	±30'													
MATERIAL		REV	DESCRIPTION	SIGNATURE	DATE									